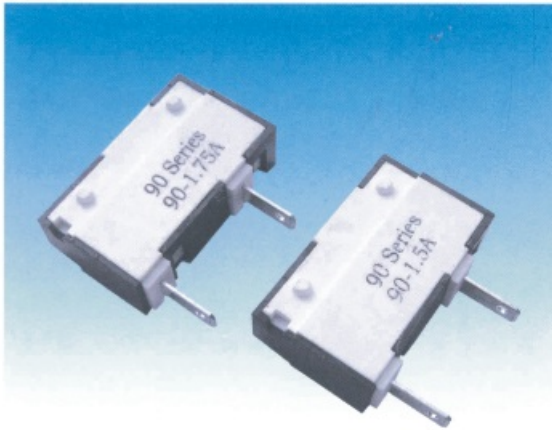


SHINE CIRCUIT BREAKER SERIES

90 Series

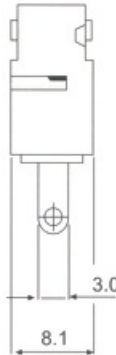
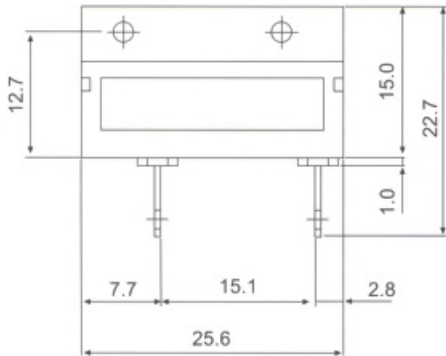


Engineering Information:

Rating: 1.0A-10.0Amp
 Input Power: 125/250Vac 50Vdc 50/60Hz
 Interrupting Capacity: 1,000Amp 125Vac
 Dielectric Strength: 1,500Vac 1 minute
 Resettable Overload Capacity: 10 times rated current
 Voltage Drop: Less than 0.25V
 Insulation Resistance: >500 Megaohms
 Reset Time: Within 60 seconds
 Temperature Rise at Terminal Block: Less than 65°C at 100% of rated current applied continuously at 25°C
 Contact Endurance: 125VacX150% of rated current->500 Cycles

Calibration (at 25°C)

100% of rated current: Hold, No-Trip
 150% of rated current: Trip in 1 Hour
 200% of rated current: 3-30 seconds Trip
 300% of rated current: 0.5-4.0 seconds Trip



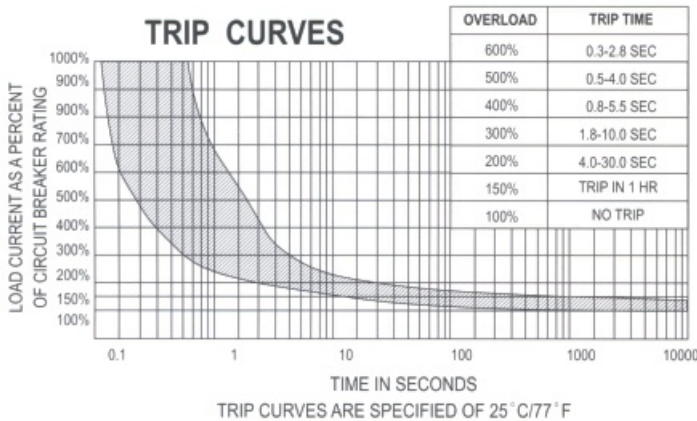
Derating Factor

Temp	1A-2.5A	2.6A-10.0A
50 °C	X0.50	X0.60
45 °C	X0.55	X0.67
40 °C	X0.67	X0.75
35 °C	X0.82	X0.85
30 °C	X0.89	X0.91
25 °C	X1.00	X1.00
20 °C	X1.09	X1.08
15 °C	X1.21	X1.18
10 °C	X1.33	X1.26

Max. Internal Resistance

1.0A-2.0A	0.125 Ohm
2.1A-3.0A	0.105 Ohm
3.1A-4.0A	0.075 Ohm
4.1A-5.0A	0.053 Ohm
5.1A-7.0A	0.042 Ohm
7.1A-10A	0.038 Ohm

TRIP CURVES



ORDERING GUIDE :

90 - 1.25A
 Series Rating
 1=1.0A
 1.25=1.25A
 1.5=1.5A
 }
 8=8A
 9=9A
 10=10A